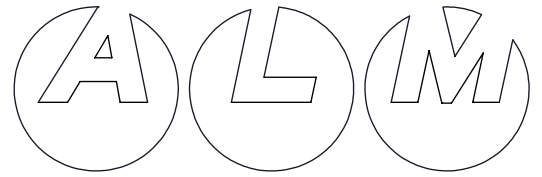


Step

PENDANT

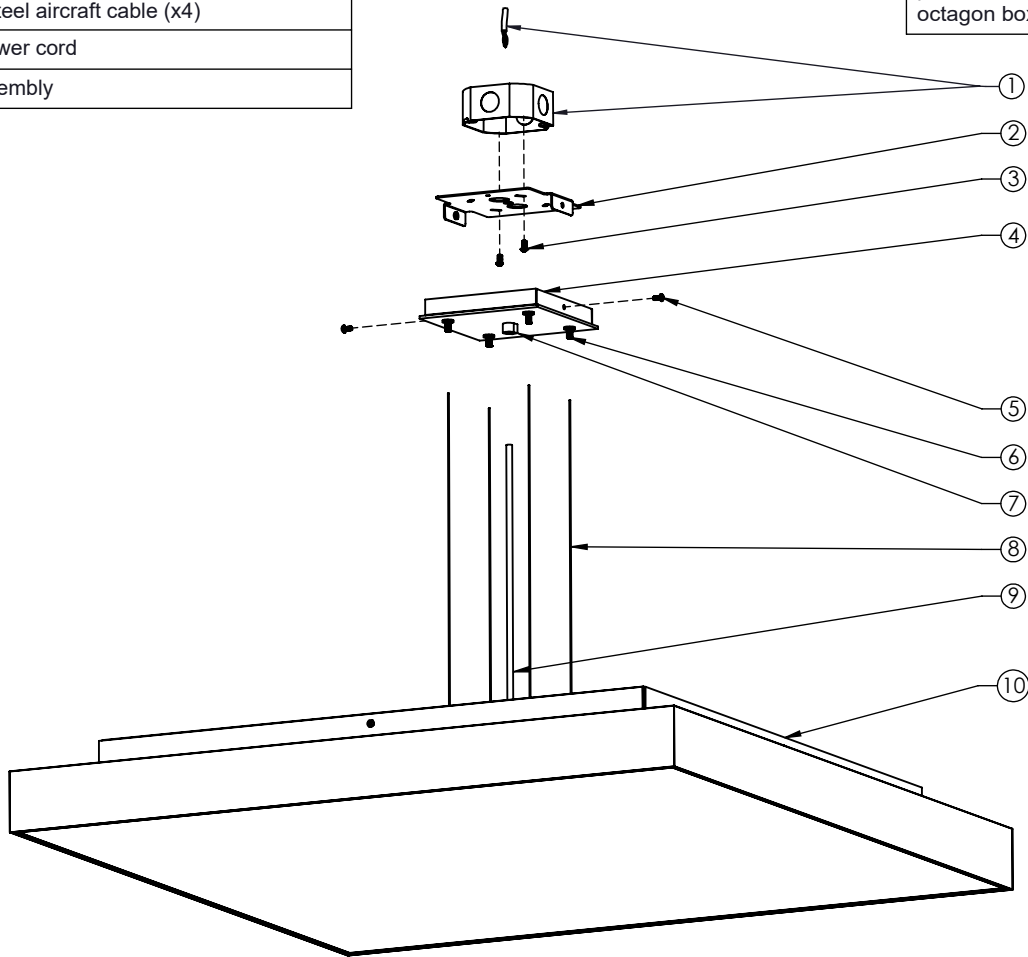
INSTALLATION INSTRUCTIONS



1	4" Octagon box and power feed (by others)
2	Ceiling bracket
3	Mounting screws to octagon box 8-32 x 3/4" long, round head (by others)
4	Canopy assembly
5	Canopy assembly mounting screws (x2)
6	Adjustable cable gripper
7	Power cord gripper
8	Stainless steel aircraft cable (x4)
9	Flexible power cord
10	Fixture assembly

NOTE - Remote driver:
- If required, installed by others
- Connect wires accordingly

NOTE:
Additional mounting hardware
provided for installation where
octagon box is not available.



INSTRUCTIONS:

1. Unscrew canopy assembly mounting screws and remove canopy assembly from ceiling bracket.
2. Bring the electrical power feed through the hole in the ceiling bracket and secure ceiling bracket to the standard 4" octagon box (screws by others). If octagon box is not available, secure ceiling bracket to the ceiling using additional mounting hardware provided.
3. Bring aircraft cables through the adjustable cable grippers mounted on the canopy assembly.
4. Bring the power cord through the power cord gripper and secure with set screw provided.
5. Splice the fixture power wires and power feed as required. Wires for connection are clearly labeled.
6. Secure canopy assembly onto the ceiling bracket using screws provided.
7. Adjust height with adjustable aircraft cable grippers. Level the fixture.
8. Energize.

GENERAL NOTE:

- * Turn power off before beginning.
- * Do not connect to an ungrounded supply.
- * Consult a qualified electrician to ensure correct branch circuit conductor.
- * This product must be installed in accordance with the applicable installation code by a person familiar with the construction and operation of the product and the hazards involved.
- * Save these instructions.